

GalvinSafe[®] Body Spray, Wall Mounted, Hand Held, 2.4mtr Pressure Hose (HAWS)

PRODUCT CODE:

Galvin Engineering: 190.43.55.32

HAWS: 8901B



PRE - INSTALLATION

LOCATION OF UNIT: The Model 190.43.55.32 (8901B) Hose Spray should be installed in close proximity to potential accident areas. It should be clearly identified, free from obstructions and easy to access.

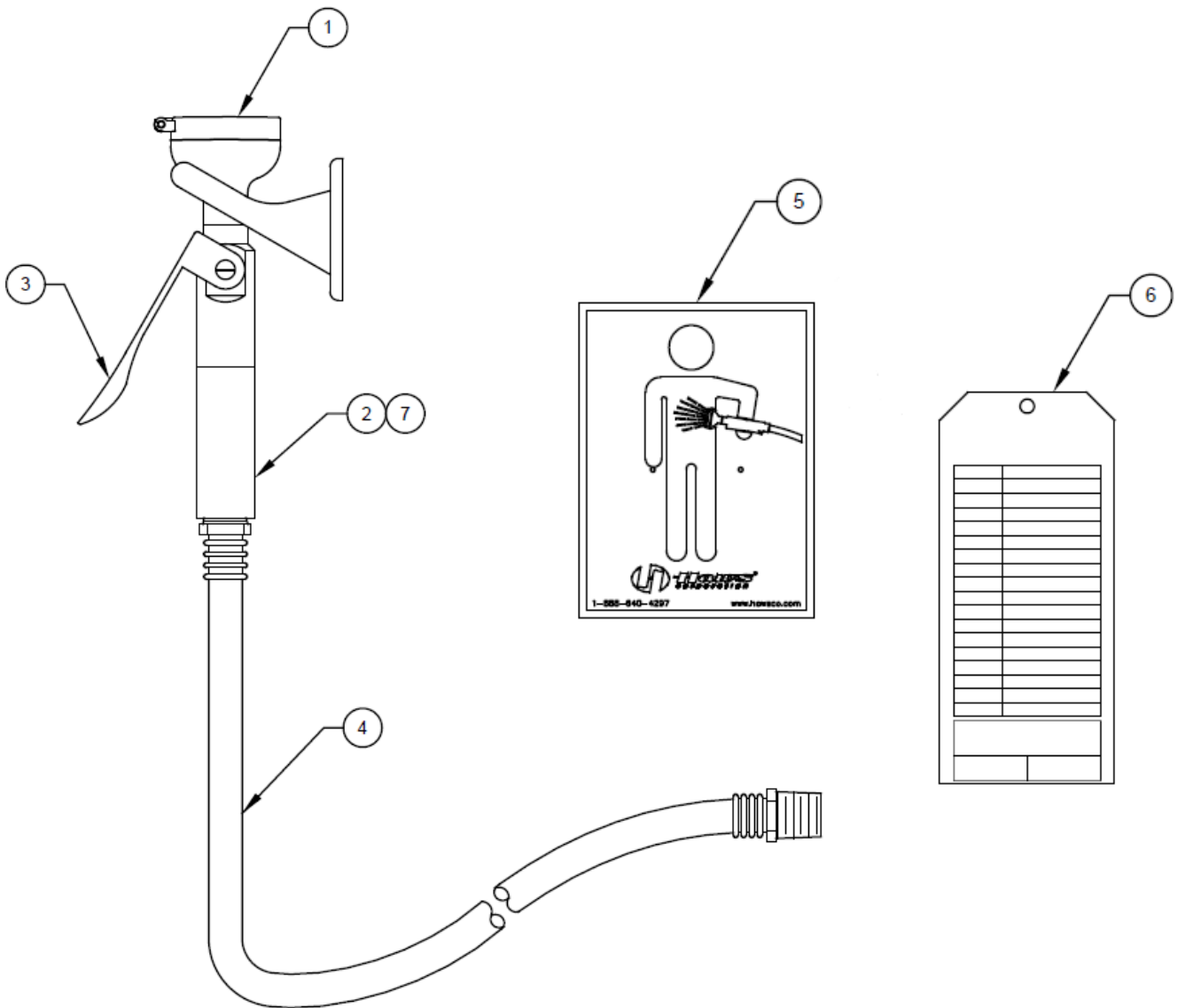
SUPPLY LINE: The minimum recommended line size is 1/2" BSP with 210 – 600 kPa flowing pressure. Where sediment or mineral content is a problem, an inlet filter is recommended. A vacuum breaker is required to be used with this item. (Not supplied with the product or by Galvin Engineering)

PLUMBING CONNECTIONS: Inlet supply is male 1/2" BSPT.

INSTALLATION

Refer to installation drawing to clarify installation procedure.

PARTS BREAKDOWN

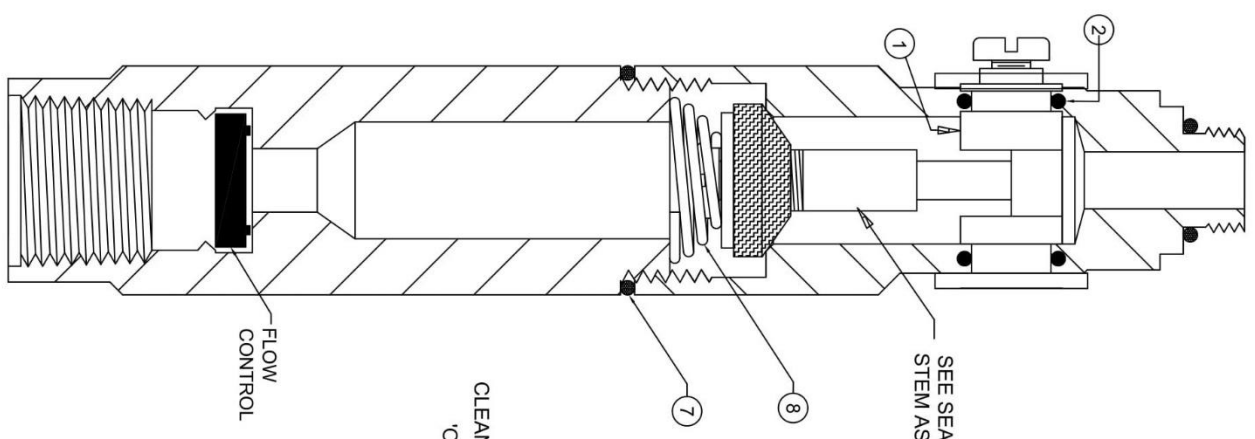


ITEM	ITEM CODE	ITEM DESCRIPTION
1	-	EYE/FACE WASH HEAD*
2	-	FLOW CONTROL*
3	190.92.50.00	VALVE ASSEMBLY
4	-	HOSE ASSEMBLY*
5	-	HOSE SPRAY SIGN*
6	190.91.80.33	TEST TAG
7	-	VRKSP248 VALVE REPAIR KIT*

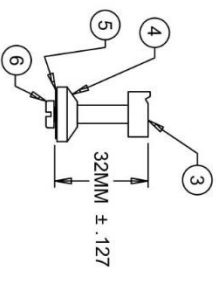
* spare parts will require special order or may not be available (contact Galvin engineering for more details).

NOTES:

1. A VACUUM BREAKER IS REQUIRED TO BE USED WITH THIS ITEM. (NOT SUPPLIED WITH THE PRODUCT OR BY GALVIN ENGINEERING)



SEE SEAT & OPERATOR STEM ASSEMBLY DETAIL

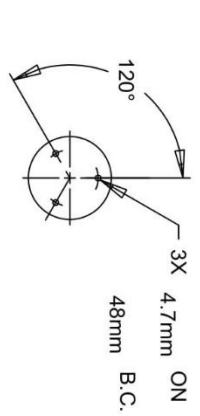


SEAT & OPERATOR STEM ASSEMBLY DETAIL

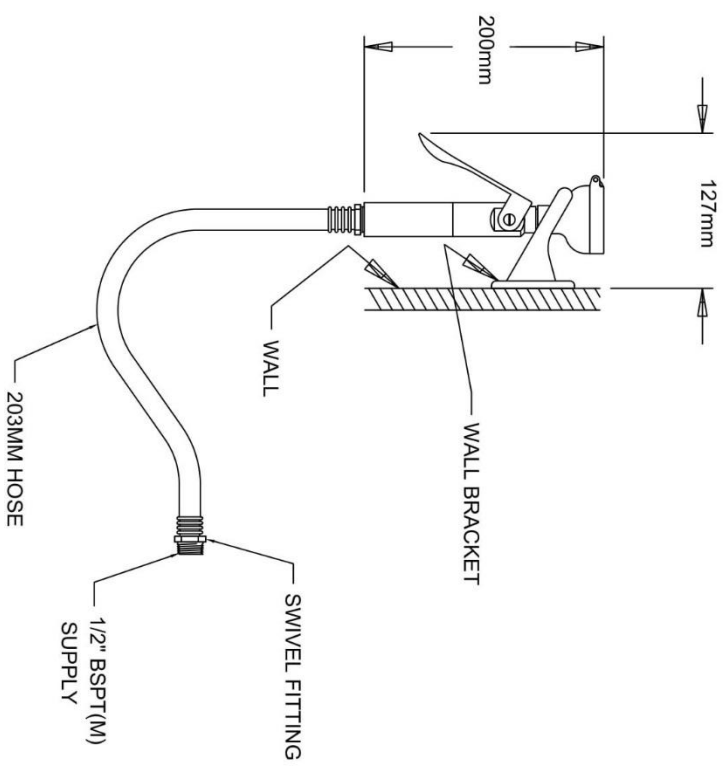
CLEAN VALVE SEAT AND WASHER THOROUGHLY, LUBRICATE 'O' RING WITH 'O' RING LUBE BEFORE REASSEMBLING.

ITEM NO.	QUANTITY	DESCRIPTION
1	1	CAM OPERATOR
2	2	'O' RING FOR CAM
3	1	OPERATOR STEM
4	1	SEAT WASHER
5	1	HOLDER WASHER
6	1	SCREW
7	1	'O' RING
8	1	SPRING

VALVE REPAIR DETAIL
MODEL VRK SP248
OPTIONAL



WALL BRACKET DETAIL



DISTRIBUTED BY:

GalvinEngineering
the mark of reliability

410 VICTORIA RD MALAGA WA
ABN: 78 008 719 382
+61 8 9338 2344 FAX: +61 8 9338 2340
EMAIL: sales@galvinengineering.com.au
WEBSITE: www.galvinengineering.com.au

Haws

ECN NO. REVISED PERBY:	MODEL(S)	PART NUMBER
ECN: 5242 VMC	190.43.55.32 (8901B)	0002080191.D
DATE: CHKD:	GALVINSAFE BODY SPRAY, WALL MOUNTED,	REVISION
06/20/91 VMC	HAND HELD, 2.4MTR PRESSURE HOSE (HAWS)	9
DATE:	SCALE: NA DRAWING TYPE:	SIZE: A1 SHEET 1 OF 1
11/23/17	INSTALLATION	

TROUBLESHOOTING	
PROBLEM	REPAIR CHECKLIST
1. No Flow.	1. Check the main shut-off valve.
2. Insufficient water flow	2. a. Verify minimum 210 kPa flowing supply line pressure b. Probable clogging of flow control due to inadequate line flushing Disassemble eyewash at inlet connection to gain access and clean rubber flow control. c. Unscrew eye/face wash head cap off to gain access to the buffer and clean it.
3. Valve leaks in shut-off position.	3. Refer to installation drawing. Clean valve washer and seat thoroughly, then reassemble the valve.

For more information about GalvinSafe® (Haws) products, see our website.

WARRANTY

The warranty set forth herein is given expressly and is the only warranty given by the Galvin Engineering Pty Ltd. With respect to the product, Galvin Engineering Pty Ltd makes no other warranties, express or implied. Galvin Engineering Pty. Ltd. hereby specifically disclaims all other warranties, express or implied, including but not limited to the implied warranties of merchantability and fitness for a particular purpose.

Galvin Engineering Pty Ltd products are covered under our manufacturer's warranty available for download from www.galvinengineering.com.au Galvin Engineering Pty Ltd expressly warrants that the product is free from operational defects in workmanship and materials for the warranty period as shown on the schedule in the manufacturer's warranty. During the warranty period, Galvin Engineering will replace or repair any defective products manufactured by Galvin Engineering without charge, so long as the terms of the Manufacturer's warranty are complied with.

The remedy described in the first paragraph of this warranty shall constitute the sole and exclusive remedy for breach of warranty, and Galvin Engineering Pty Ltd shall not be responsible for any incidental, special or consequential damages, including without limitation, lost profits or the cost of repairing or replacing other property which is damaged if this product does not work properly, other costs resulting from labour charges, delays, vandalism, negligence, fouling caused by foreign material, damage from adverse water conditions, chemical, electrical or any other circumstances over which Galvin Engineering has no control. This warranty shall be invalidated by any abuse, misuse, misapplication, improper installation or improper maintenance or alteration of the product.

Within Australia: 1300 514 074 Outside Australia: P: +61 (0)8 9338 2344

F: +61 (0)8 9338 2340

sales@galvinengineering.com.au

www.galvinengineering.com.au

ABN: 78 008 719 382

PERTH | SYDNEY | MELBOURNE | BRISBANE | ADELAIDE

